

A1 x32

A2 x16

A3 x1

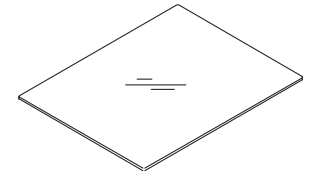
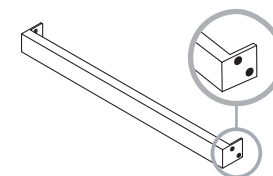
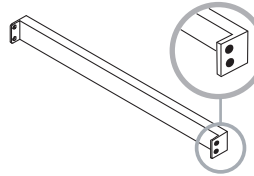
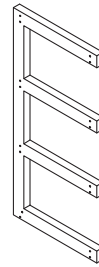
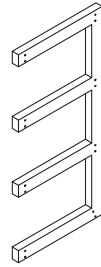
B1 x1

B2 x1

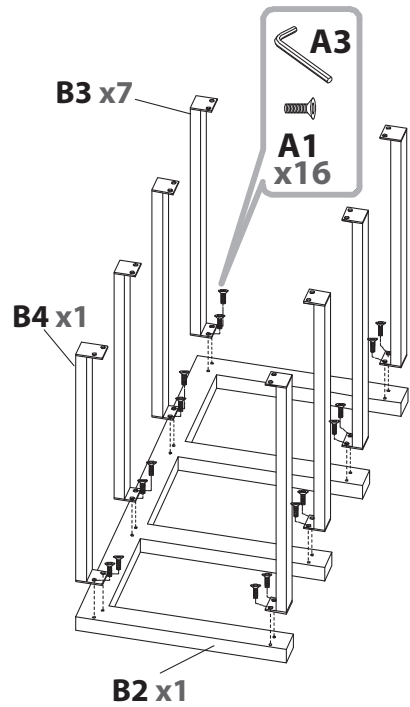
B3 x7

B4 x1

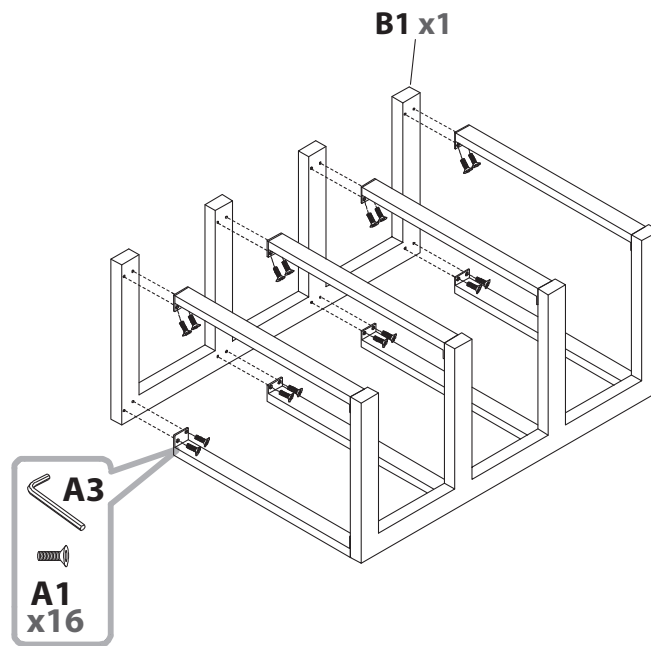
B5 x4



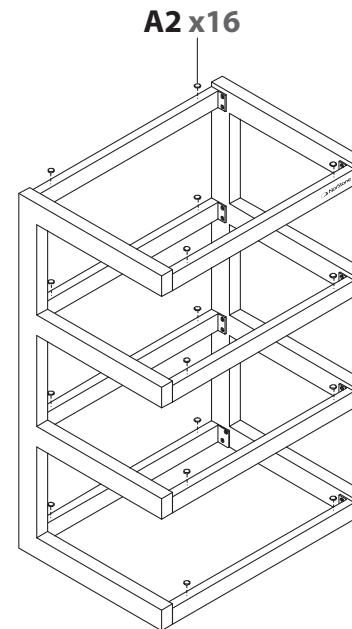
①



②



③



④

