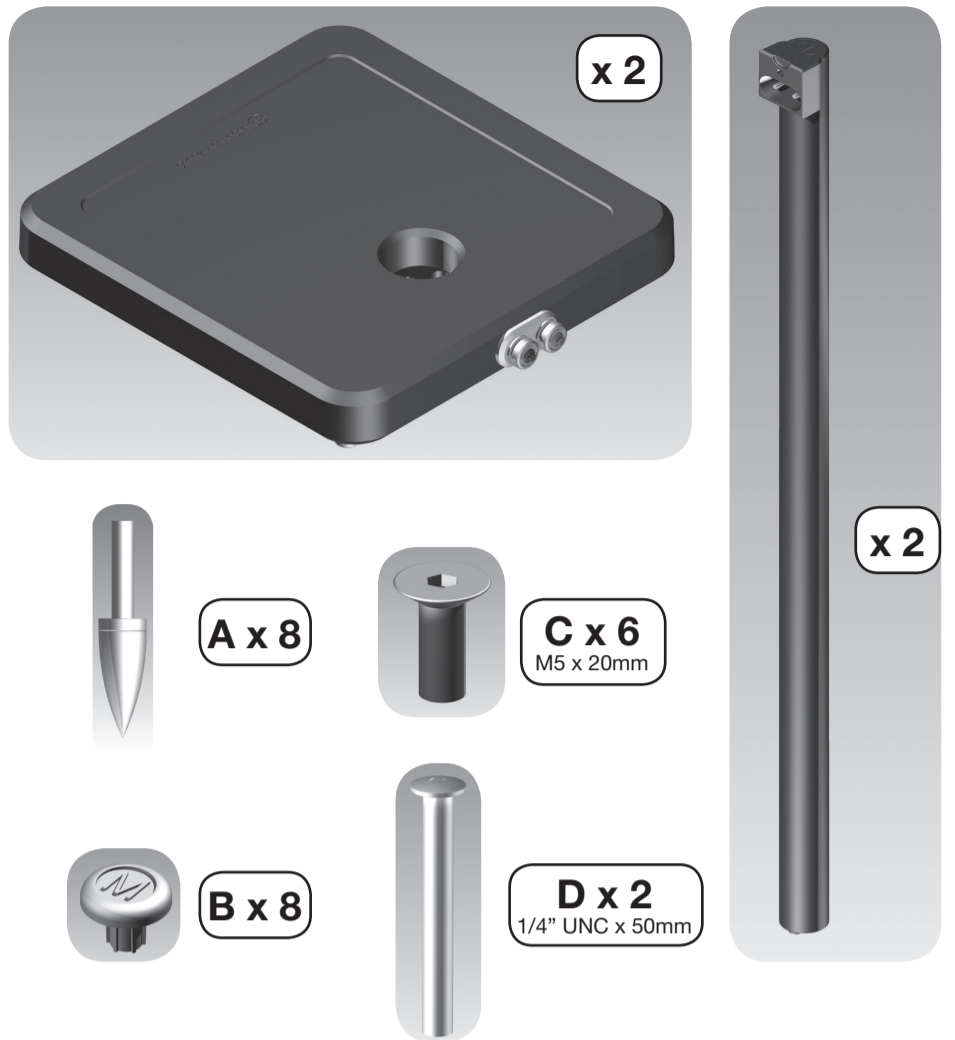
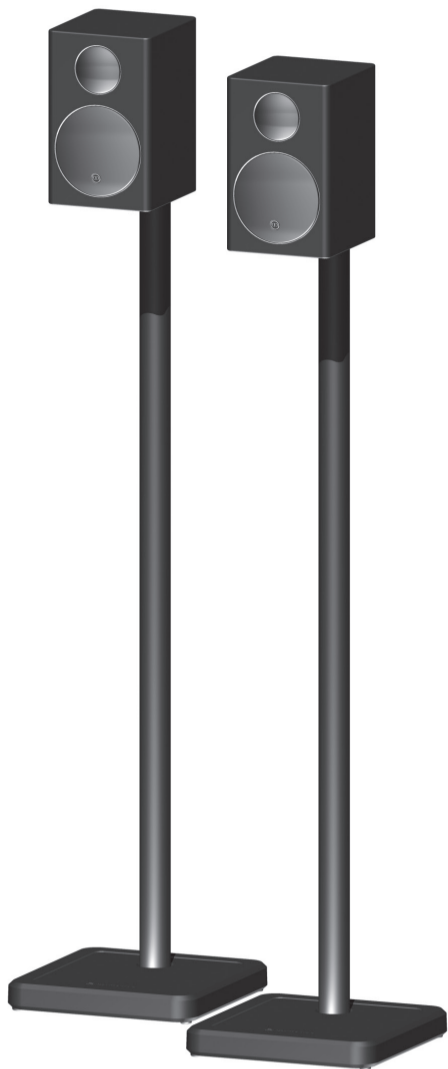


# Radius Stands

ASSEMBLY INSTRUCTIONS



Monitor Audio Ltd.  
 24 Brook Road  
 Rayleigh, Essex  
 SS6 7XJ, England  
 Tel: +44 (0)1268 740580  
 Fax: +44 (0)1268 740589  
 Email: info@monitoraudio.co.uk  
 Web: www.monitoraudio.com

**Designed and Engineered  
 in the United Kingdom.  
 Made in China  
 © Monitor Audio.**

Version 1 2013

