

GENEVA

DeCon / M

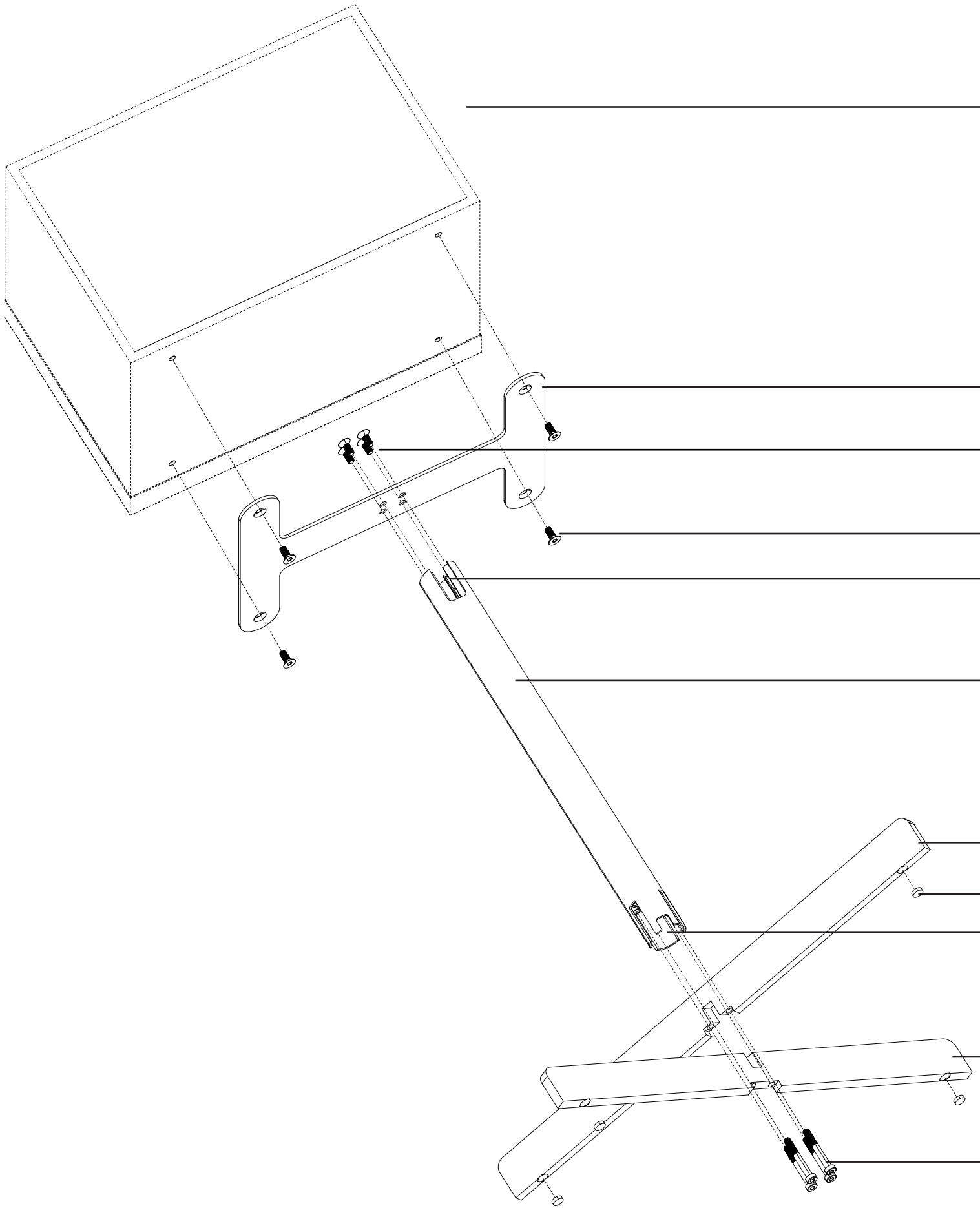
Safety Instructions

Please store this instruction manual for future reference.

- **WARNING:** To reduce the risk of fire or electric shock, do not expose this apparatus to rain or moisture. The apparatus shall not be exposed to dripping or splashing and that objects filled with liquids, such as vases, shall not be placed on apparatus.
- **WARNING:** The direct plug-in adapter is used as disconnect device, the disconnect device shall remain readily operable.



- This lightning flash with arrowhead symbol within an equilateral triangle is intended to alert the user to the presence of non-insulated “dangerous voltage” within the product’s enclosure that may be of sufficient magnitude to constitute a risk of electric shock.
- **WARNING:** To reduce the risk of electric shock, do not remove cover (or back) as there are no user-serviceable parts inside. Refer servicing to qualified personnel.
- The exclamation point within an equilateral triangle is intended to alert the user to the presence of important operating and maintenance instructions in the literature accompanying the appliance.
- **Correct Disposal of this product.** This marking indicates that this product should not be disposed with other household wastes throughout the EU. To prevent possible harm to the environment or human health from uncontrolled waste disposal, recycle it responsibly to promote the sustainable reuse of material resources. To return your used device, please use the return and collection systems or contact the retailer where the product was purchased. They can take his product for environmental safe recycling.
- No naked flame sources, such as lighted candles, should be placed on the apparatus.
- Do not use this product near water or moisture.
- Clean only with a dry cloth.
- Unplug this product from the wall outlet before cleaning.
- Place the unit on a solid surface.
- Do not put it in a closed bookcase or a cabinet that may keep air from flowing through its ventilation openings.
- Do not install near any heat sources, such as radiators, heat registers, stoves or other appliances that produce heat.
- Protect the power cord from being walked on or pinched, particularly at plugs and the point where they exit from the product.
- Servicing is required when the product has been damaged. Do not attempt to service this product yourself. Opening or removing covers may expose you to dangerous voltages or other hazards. Please contact the manufacturer to be referred to an authorized service center near you.
- To prevent risk of fire or electric shock, avoid over loading wall outlets, extension cords, or integral convenience receptacles.
- Do not let objects or liquids enter the product.
- Use proper power sources. Plug the product into a proper power source, as described in the operating instructions or as marked on the product.
- Changing sources while a CD is playing causes the CD to stop playback. Playback will resume when the source is set to CD again.
- The sound quality of MP3, CD-R/CD-RW, and even commercially recorded discs can vary greatly. The same holds true for the sound quality of portable MP3 players.
- Do NOT use any CD lens cleaning discs since these are not designed for slot-load machines.
- Avoid bending the disc when loading or ejecting.
- Do not move the unit while a disc is playing and do not ship the unit with a CD inside.
- Do not try to insert a disc in the slot if one is already inside the unit.
- Do not insert specially shaped discs or 3” CD “single” discs.
- You may experience a delay in playback when inserting MP3 or WMA discs while the player reads the directory.
- Paper labels stuck to CD-R/CD-RWs may become loose and possibly damage the player.
- CDs with severe scratches may not play properly.
- Do not insert anything except a CD inside the loading slot.
- In the rare event you experience an error, unplug the power cord for 60 seconds and then plug it back in firmly.



Stand (optional)

A.DeCon/M (backside)

B.Top Plate

C.Top Plate to Tube Screws (4x)

D.Top Plate Screws (4x)

Power Cable in

E.Tube

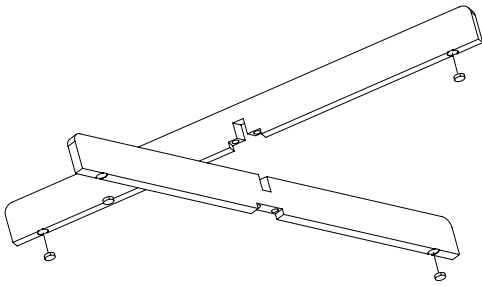
F.Cross Legs

G.Cross Legs Anti-Slip Rubber Pieces (4x)

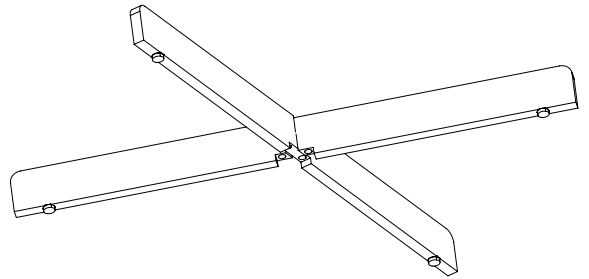
H.Power Cable out

I.Cross Legs

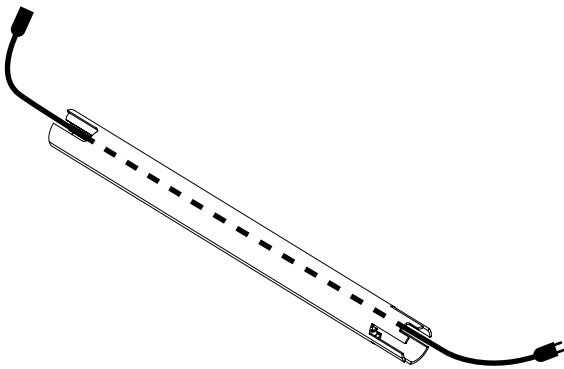
L.Cross Legs Screws (4x)



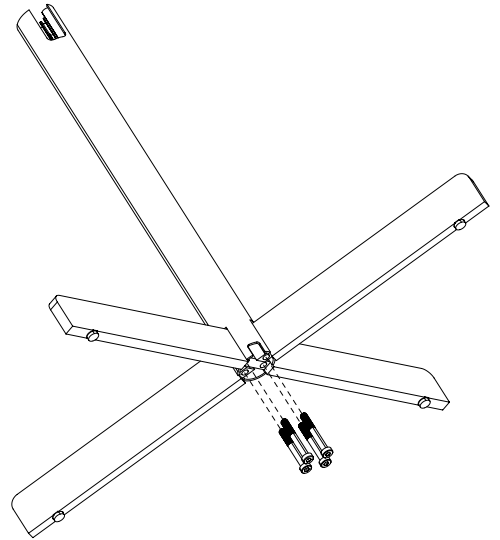
1. Attach the 4 anti-slip rubber pieces (G) to the legs



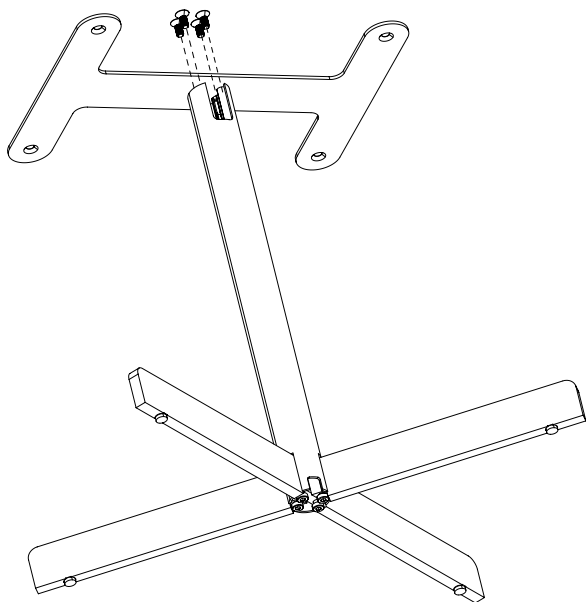
2. Assemble according to the groove.



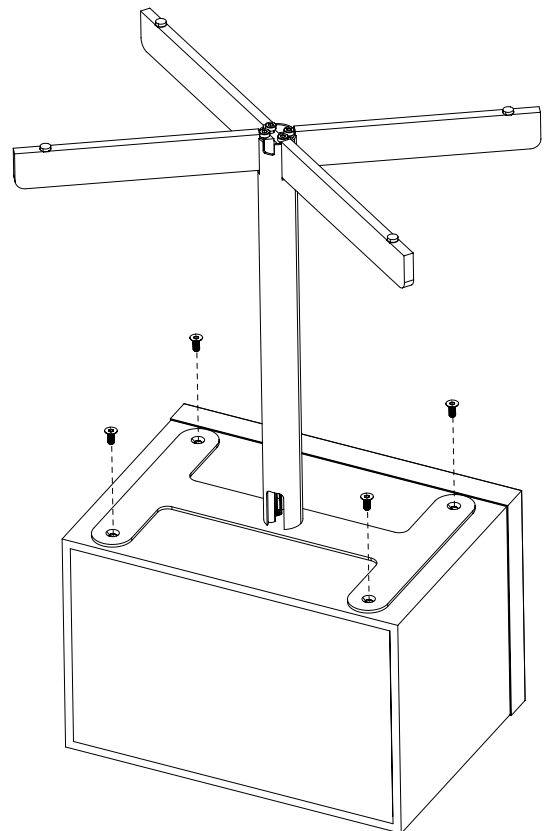
3. insert the power cable through the tube (E)



4. Join legs and tube with 4 screws (L)

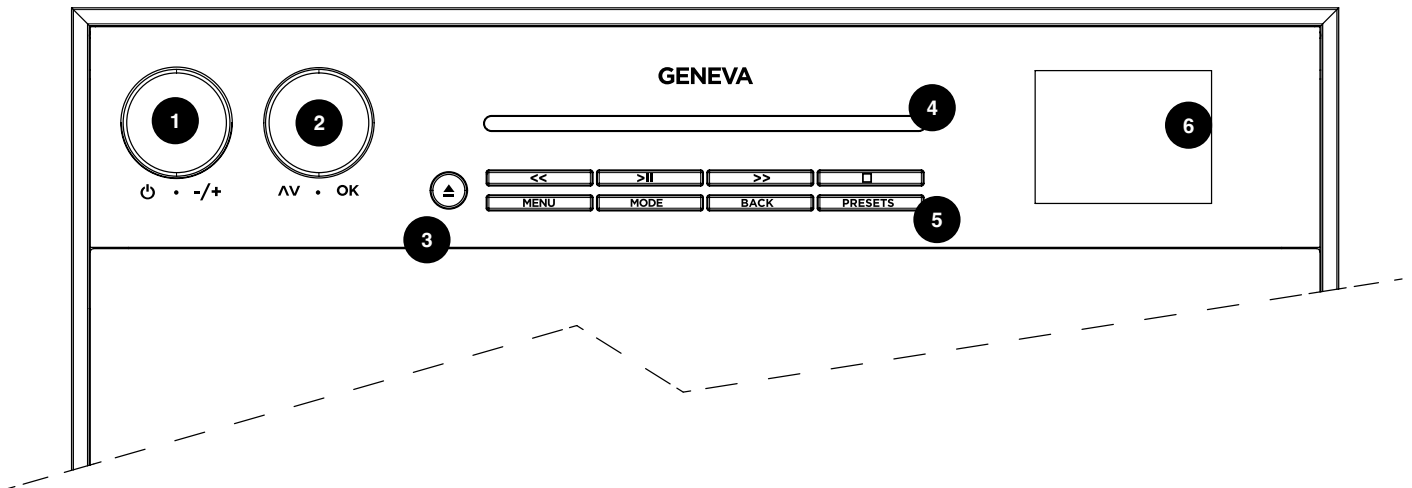


5. Fix the top plate (B) to the tube (E) with the 4 screws (C)



6. Fix the stand to the speaker with the 4 screws (D)

Overview



1

ON/OFF/VOLUME DIAL
Press the dial to turn DeCon/M on/off
Rotate to adjust volume
Keep pressed to MUTE

2

SCROLL/OK
Rotate to scroll menu items
Press the dial to confirm menu selection

3

EJECT BUTTON
Press to eject the CD, if inserted in the CD slot
Keep pressed to force CD eject

4

CD SLOT

5

NAVIGATION BUTTONS:

<< Press to select the previous track under Spotify/FM/DAB / Bluetooth mode/CD mode; Press and hold to auto-scan the stations under the FM mode.

>> Press to select the next track under Spotify/FM/DAB/Bluetooth Mode/CD mode; Press and hold to auto-scan the stations under the FM mode

> || Press to select Play/Pause under internet radio, Spotify, CD and BT mode. In FM mode, press to do auto scans the stations

> Press to enter menu mode. Follow instructions on display to select the desired function

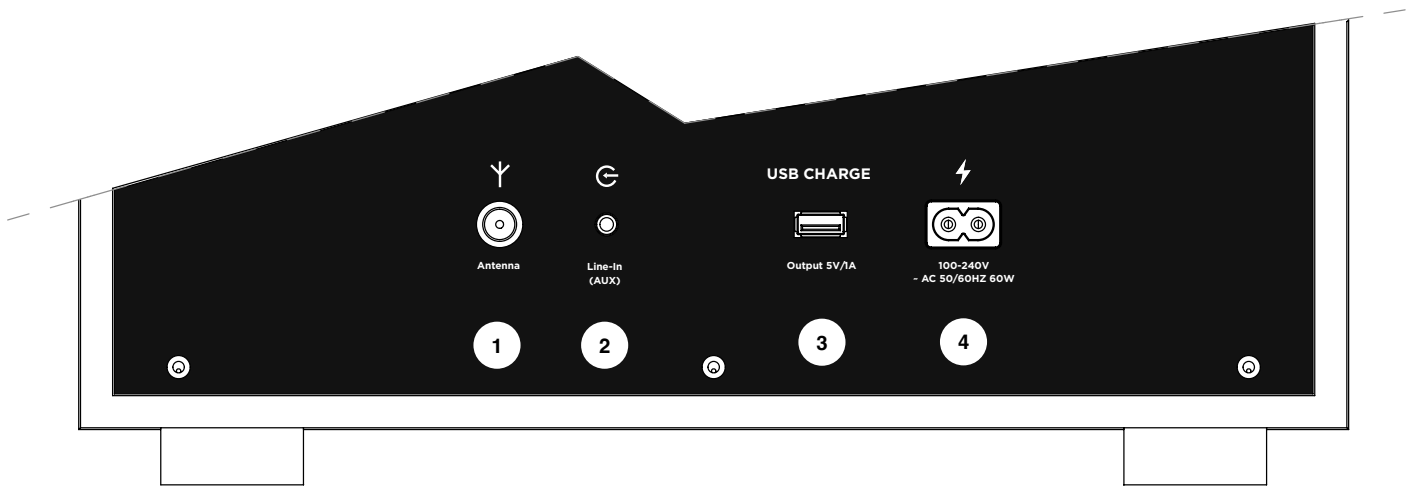
> Press to select source

> Press to step back while navigating in the menu

> Press to access presets. Keep pressed to store new presets

6

DeCon/M Display



- 1** ANTENNA
Insert the Antenna and extend it to its maximum length to improve FM/DAB reception
- 2** LINE-IN (AUX)
- 3** USB CHARGE
- 4** POWER CONNECTOR



REMOTE CONTROL (OPTIONAL)

- ON / STAND-BY
- SLEEP / MUTE / VOLUME +
- PRESET / INFO / VOLUME -
- BACK / OK / MENU
- UP (MENU)
- PREVIOUS / NEXT
- DOWN (MENU)
- STOP (CD) / PLAY-PAUSE / EJECT (CD)
- BLUETOOTH / LINE-IN - AUX / CD
- FM / DAB / INTERNET RADIO

First steps with DeCon/M

If you purchase the optional stand, please refer to stand manual before connecting DeCon/M

Insert the power cord on the backside.

Insert the telescopic antenna and extract it in its full length for better FM/DAB reception

Press the POWER button once to begin start-up process.

MENU BUTTON

Pressing the button will take you to the Mode Menu for the particular mode of operation you are in. For example, pressing MENU button when in DAB Mode will take you to the DAB MODE MENU. Pressing the button for a second time will return you to the 'playing screen' that you just left.

NAVIGATING THE MENU

Most of the functions of DeCon/M can be accessed in 2 ways:

- via MENU button
- using the optional remote control

MENU button displays different contents, depending on the current selected mode

Follow instructions on the display, and:

- use SCROLL/OK dial to select and confirm
- BACK to step back in the menu tree
- press MENU to exit menu
- press MODE to select MODES

During playback, press SCROLL/OK dial to display current mode additional informations

PRESETS

PRESETS button is used to conveniently store and recall your favourites. It works:

- in FM mode
- in DAB mode
- In INTERNET RADIO mode
- in SPOTIFY mode

NOTE: Podcasts can be stored when in INTERNET RADIO presets list

In order to save a preset:

- keep PRESETS button pressed
- select preset position on the list with the SCROLL/OK dial
- press SCROLL/OK dial to confirm

to recall presets:

- press PRESET button
- select preset with the SCROLL/OK dial
- press SCROLL/OK dial to confirm

UNDOK

You can control DeCon/M with your smartphone using UNDOK, available for Apple and Google devices.

NOTE: your smartphone and DeCon/M must run under the same Wi-Fi network to work correctly.

Internet Setup

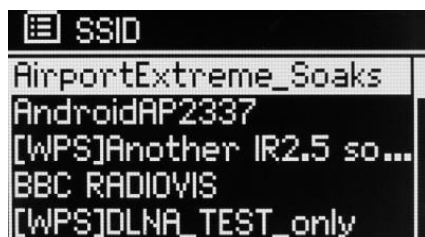
The first time you use DeCon/M, you will be asked whether you would like to run the SETUP WIZARD. The 'WIZARD' will run through a series of questions, and is the simplest way to get internet radio up and running on your device.

You can run the SETUP WIZARD again at any time, it can be found under the NETWORK heading, in the SYSTEM SETTINGS MENU.

To set up your radio for online operation using the INTERNET WIZARD, follow these steps:

Press the SELECT button, and start the SETUP WIZARD procedure.

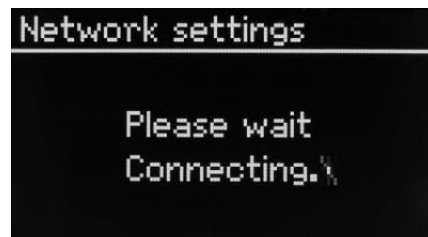
1. Choose and select your preferred hour format (12 or 24 hour).
2. Choose and select UPDATE FROM NETWORK.
3. Scroll and select your local timezone from the menu.
4. Choose and select your preferred daylight savings status.
5. Scroll and select your Wlan region.
6. Scroll and select your NETWORK. In some cases your radio may find more than one. Simply choose the one you want to use.
7. If your wireless network is not password protected, DeCon/M will automatically connect, and the following screen will be displayed:



Available networks list



Password



Connection attempt

8. If you do use password protection, enter your network password using the joystick controller to scroll through the alphanumeric characters, pressing SELECT to enter each number or letter. When you have correctly entered your entire password, select OK.

Select BKSP (back space) if you have entered an incorrect character.

DeCon/M will save the password into its memory. There will be no need to re-enter the password again.

Sources (mode)

DeCon/M can play different sources:

FM, DAB, CD, AUX, BLUETOOTH, INTERNET RADIO, SPOTIFY, PODCASTS

Press MODE to display sources list and press OK dial to select.

FM

When listening to FM radio, DeCon displays the station name and other RDS/RBDS informations when available.

CHANGE STATION

Press << or >> to automatically tune to the next available FM station. SCROLL/OK dial can be used to fine-tune the station

SCAN SETTING

You can change the scan settings to only stop at stations with a strong signal by selecting MENU/SCAN SETTING/STRONG STATIONS ONLY.

PROGRAM INFORMATION

Choose what to display by selecting MENU/INFO.

PRESETS

Keep pressed PRESETS button to access presets list and save your favourite stations
To recall a preset, press PRESETS button and select your favourite station

MONO

As an FM signal becomes weaker, the level of hiss can increase. To reduce it, select MENU/MONO.

DAB

When listening to DAB radio, DeCon/M displays the station name and other DLS informations
The first time you select DAB Radio, DeCon/M performs an auto-scan of available stations.

CHANGE STATION

Press << or >> to automatically tune to the next available DAB station. SCROLL/OK dial can be used to list all available stations. Highlight the station you wish to listen and press the SCROLL/OK dial to confirm.

PROGRAM INFORMATION

Choose what to display by selecting MENU/INFO.

PRESETS

Keep pressed PRESETS button to access presets list and save your favourite stations
To recall a preset, press PRESETS button and select your favourite station

STATION ORDER

The DAB station list can be ordered by Alphanumeric, Ensemble or Valid.
To change station order, select MENU/STATION ORDER and make your selection.

STATION SCAN

We recommend to perform a full scan from time to time to discover new stations. Press the MENU button and select Scan to perform the scan

Internet Radio

DeCon/M can play thousands of Internet Radio stations and Podcasts (Internet connection is required)

Press MENU button and select Station List to view all stations divided by location, Genre, etc
Presets can be saved same as for FM and DAB stations

CD

DeCon/M can play CDs. To insert a CD, gently push it into the CD slot. Once loaded, it will play automatically. Track number and time is shown on the display, together with CD text, if available.

Use buttons on DeCon/M or on the optional remote to perform basic functions like pause, next track, stop, etc.
Press eject button to unload the CD. Keep pressed eject button to force eject process.

NOTE: DeCon/M cannot play MP3/WMA/AAC files.

Bluetooth

DeCon/M can connect to Bluetooth devices and stream in CD quality.

As soon as you switch to Bluetooth, DeCon/M attempts to connect to the last device it was paired with. If it is the first time, DeCon/M displays "Awaiting connection": check your Bluetooth device setting page and select "DeCon/M" in the available devices list.

To connect a new device, press MENU BUTTON > CONNECT DEVICE. You can pair up to 7 devices.

Use buttons on DeCon/M or on the optional remote to perform basic functions like pause, next track, stop, etc.

Please refer to your Bluetooth device to start playing music on DeCon/M

Line-In / Aux

DeCon/M accepts analogue audio sources, using a mini jack connector. For best performance, we recommend to balance the volume level on your device. Line input level can be adjusted by pressing MENU button > Input level, between -3dB to +18dB



Use your phone, tablet or computer as a remote control for Spotify.
Go to spotify.com/connect to learn how.

The Spotify software is subject to third party license found here:
<http://www.spotify.com/connect/third-party-license>

Additional Functions

EQUALIZER

Press MENU > SYSTEM SETTING > EQUALIZER and pick your favourite EQ setting. DeCon/M can also store Bass/Treble combination. Select "MY EQ Settings" and adjust settings at your preference.

ALARM

DeCon/M can store 2 independent alarms. Press MENU Button > MAIN MENU > ALARMS and follow instructions on the display

SLEEP

DeCon/M can set a 15-30-45-60-75-90 minutes sleep timer. Press MENU Button Main MENU > Sleep and follow the instructions on the display.

USB CHARGE

DeCon/M can charge Type1 USB devices, up to 5V - 1A. Simply plug your device on the backside.

FIRMWARE UPDATE

Press MENU > SYSTEM SETTINGS > FIRMWARE UPGRADE and confirm with the SCROLL/OK dial

FACTORY RESET

Press MENU > SYSTEM SETTINGS > FACTORY RESET and confirm with the SCROLL/OK dial

Troubleshooting / Errors Messages

Problem

Cause

Solution

FM: HISS
DAB:Burbling/Intermittent
Cut-Out

Low signal
strength

Check/move antenna
Move radio
Rescan local (high-strength) sta-
tions only

DAB: “No stations
available” message

Low signal
strength

As above then rescan stations.

Cannot connect to network

Network down

Check that network is working
between a computer and the
router

Router restricts
access to listed
MAC addresses

Obtain the DeCon/MAC address
from
MENU > SYSTEM SETTINGS >
NETWORK > VIEW SETTINGS
and add to router list.

Insufficient Wi-Fi
signal strength

Check distance to router; see if
a computer can connect to the
network in this location

Unusual network
configuration

Setup network manually through
MENU > SYSTEM SETTINGS
> NETWORK > MANUAL SET-

Firewall
preventing access

Check the following ports are
open on the router: UDP and
TCP ports 80 and 123;
DNS port 53. Windows shares:
ports 135 – 139 and 445.

Cannot connect to Internet

Internet connection down

Check that Internet is working for
a computer connected to the
same network

Firewall preventing access

Check the following ports are
open: UDP and TCP ports 80 and
123; DNS port 53.
Some Internet radio stations may
require additional ports to be
opened.

Cannot play particular Internet radio station	Station not broadcasting, overloaded or insufficient bandwidth. Station broadcasting using unknown codec. Link out of date.	Try other stations; try listening on computer via Internet radio portal website; try later.
Bluetooth Mode: Can't connect to a paired device		Select BT DISCONNECT from the Bluetooth Menu and delete DeCon/M's profile from your Bluetooth device, then re-pair the devices as normal
Bluetooth Mode: Poor audio quality	<ul style="list-style-type: none"> Your Bluetooth device may be out of range Electromagnetic interference 	Move your Bluetooth device closer to DeCon/M. Move your Bluetooth device away from other sources of interference such as other Bluetooth devices, wireless routers etc.
CD playback does not start	CD format is not compatible	CD format is not compatible
	CD is damaged	Insert a different CD into the CD slot
	CD is dirty	Clean the CD
Message	Description	Example
Failed to connect	Correct key entered, but router rejects request.	MAC filtering enabled on router.
Network error	Problem past router - incorrect data being received from network.	Data obtained from server is unreadable.
Service not available (DAB)	No DAB reception.	
Update failed	Software upgrade failed.	
Network not ready	problem with connection to router.	Router switched off.

Technical Information

Model: DeCon/M

Type: CD/ WiFi/Spotify/Internet Radio/DAB/DAB+/FM/AUX/Bluetooth Music system

Power Supply: 12V/3A power adapter

Dimension (mm): 350W x 130H x 235D

Weight: 4.06 KG

Specifications are subject to change without notice

Product disposal instructions (weee directive)



The symbol shown here and on the product means that it is classed as Electrical or Electronic Equipment and should not be disposed with other household or commercial waste at the end of its working life. The Waste of Electrical and Electronic Equipment (WEEE) Directive (2002/96/EC) has been put in place to recycle products using best available recovery and recycling techniques to minimise the impact on the environment, treat any hazardous substances and avoid the increasing landfill.

For more information please contact your local authority or the retailer where the product was purchased.

www.genevalab.com